



TRANSFER PUMP SKID HYDRAULIC MOTOR - LSHT TC0045

DESCRIPTION

The DIXON PUMPS 1500 and 2000 series pumps feature our patented Tri-Lobe positive displacement impeller technology that provides dry-run and flow performance, like no other positive displacement pump in the industry.

Our hydraulic transfer configurations are perfect for truck-mounted applications where hydraulic power is available, or in locations where a hydraulic wet kit can be mounted to a larger skid. The hydraulic power option provides a wide range of flows and pressures.

BENEFITS

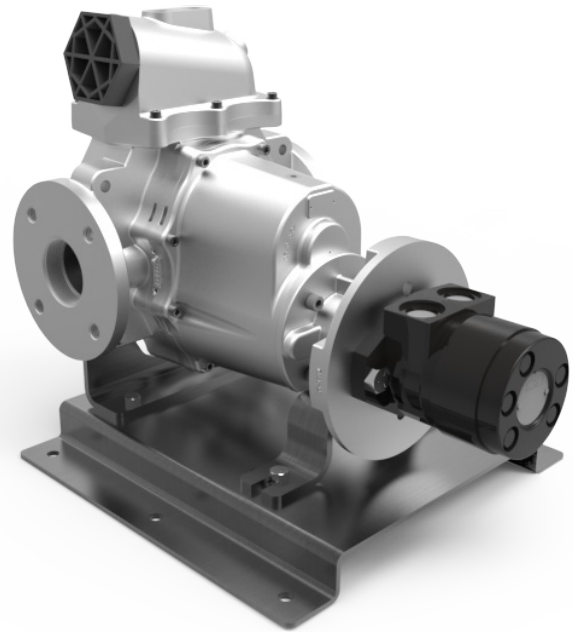
DRY-RUN DURABILITY

Running dry kills PD pumps. You won't find another positive displacement pump that can run without fluid in the housing like the 1500 and 2000 series pumps from Dixon Pumps. Our Tri-Lobe impeller technology has been tested in the lab and in the field, taking a beating when workers forget to turn off the pump, or when the tank is pumped out, but the pump is still on.

100% FLOW IN BOTH DIRECTIONS

Unlike many other positive displacement pumps, our pumps produce the same flow rate and pressure in both directions. That's great for on-load/off-load applications where time is money!

* NOTE: System is not protected from overpressure in reverse direction unless a reverse external bypass is installed.



PUMP SPECIFICATION	1500 SERIES	2000 SERIES
Inlet /Outlet Size, Type	1.5"/1.5", NPT	2.0"/2.0", NPT
Pump Housing Material	ALUMINUM (A356)	
Pump Shaft Material	CARBON STEEL	
Impeller/Wiper Blade Material	PROPRIETARY ENGINEERED RESIN (PEEK BASED)	
Wetted O-Ring and Shaft Lip Seal Material	VITON®	
Max. Particle Size (micron/mesh/mm/in)	300 / 50 / .297 / .0117	
Maximum Differential Press. (psi/bar)	150.0 / 10.3	
Operating Temperature Range (°F/°C)	-20 TO +250 / -28 TO +121	
Max. Duration in By-Pass (min)	5	

SUCTION LIFT PERFORMANCE

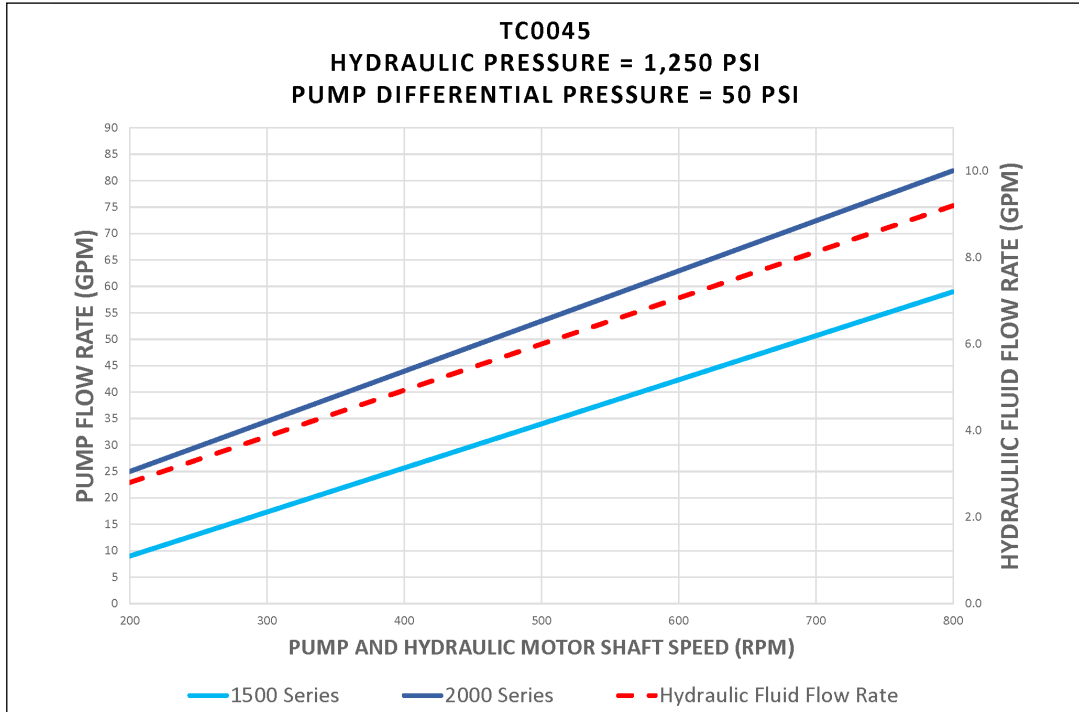
When it's time to pump fluid from down deep, the Dixon Pumps Tri-Lobe impellers can generate a vacuum that will lift fluids over 28 ft.! Pulling fluid through an empty pipe or hose is no problem. There's no need to prime the pump...just turn it on!

PERFORMANCE CHARACTERISTICS					FOR HYDRAULIC FLUID PRESSURE AT 1,250 PSI					
		PUMP/MOTOR SPEED (RPM):			200	500	760	1000	1200	1400
		HYDRAULIC PUMP FLOW RATE (GPM):			2.8	6.2	9.0			
PUMP	MOTOR	GEAR RATIO	BYPASS OPTIONS	PUMP MAX. DIFF. PRESS.	PUMP FLOW RATE - GPM (LPM) AT 50 PSI PUMP DIFFERENTIAL PRESSURE					
1500 Series	TC0045	DIRECT	20 PSI, 50 PSI	150 PSI	8	34	58			
2000 Series	TC0045	DIRECT	20 PSI, 50 PSI	150 PSI	20	57	94			

Maximum Pump Speed: 1,400 RPM (Fluid cavitation may limit pump speed), Pump Flow Based On 30 SSU (Water) Performance

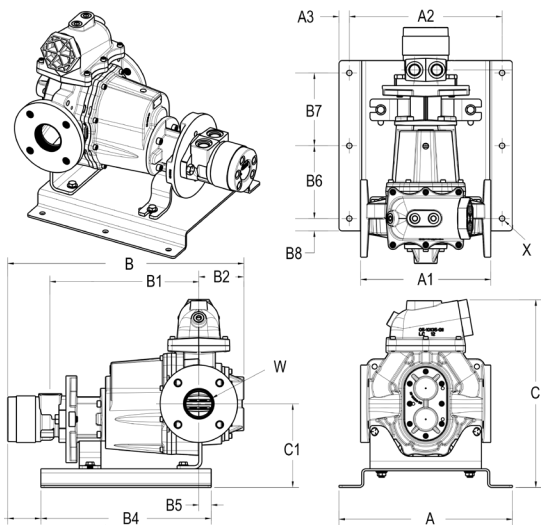
TRANSFER PUMP SKID

HYDRAULIC MOTOR - TC0045



PRODUCT SPECIFICATIONS	
Platform	"HAT" CHANNEL - 10 GAUGE STEEL
Product Weight (lbs/Kg)	1500 SERIES: 52 / 23.6
Product Weight (lbs/Kg)	2000 SERIES: 56 / 25.4

DIMENSIONS	1500 SERIES		2000 SERIES	
	IN	CM	IN	CM
Units				
W**	1.50		2.00	
A	14.00	35.56	14.00	35.56
A1	10.50	26.67	10.50	26.67
A2	12.32	31.31	12.33	31.31
A3	0.84	2.12	0.84	2.12
B	17.67	48.87	19.06	48.41
B1	11.32	28.75	12.00	30.48
B2	2.92	7.41	3.63	9.22
B3	2.00	5.08	2.68	6.80
B4	13.75	34.93	13.75	34.93
B5	1.00	2.54	1.00	2.54
B6	5.88	14.92	5.88	14.92
B7	5.88	14.92	5.88	14.92
B8	1.00	2.54	1.00	2.54
C	15.26	38.76	15.26	38.76
C1	6.75	17.14	6.75	17.15
X	0.44	1.11	0.44	1.11



** NPT FITTING

MOTOR SPECIFICATIONS- LSHT TC0045

Displacement		OPERATING PRESSURE				MOTOR OPERATING SPEED			MAX. SELF PRIMING SPEED	MOTOR INPUT FLOW				THEORETICAL TORQUE AT 1250 PSI (86 BAR)	
		Max. Int.		Max. CONT.		MAX. INT.	MAX. CONT.	MIN. CONT.		MAX. INT.		MAX. CONT.			
CM3/REV	IN3/REV	PSI	BAR	PSI	BAR	RPM	RPM	RPM	RPM	GPM	LPM	GPM	LPM	LBF FT.	NM
41.0	2.5	1750	121	1250	86	794	794			9.0	34.0	9.0	340	26.6	36.1